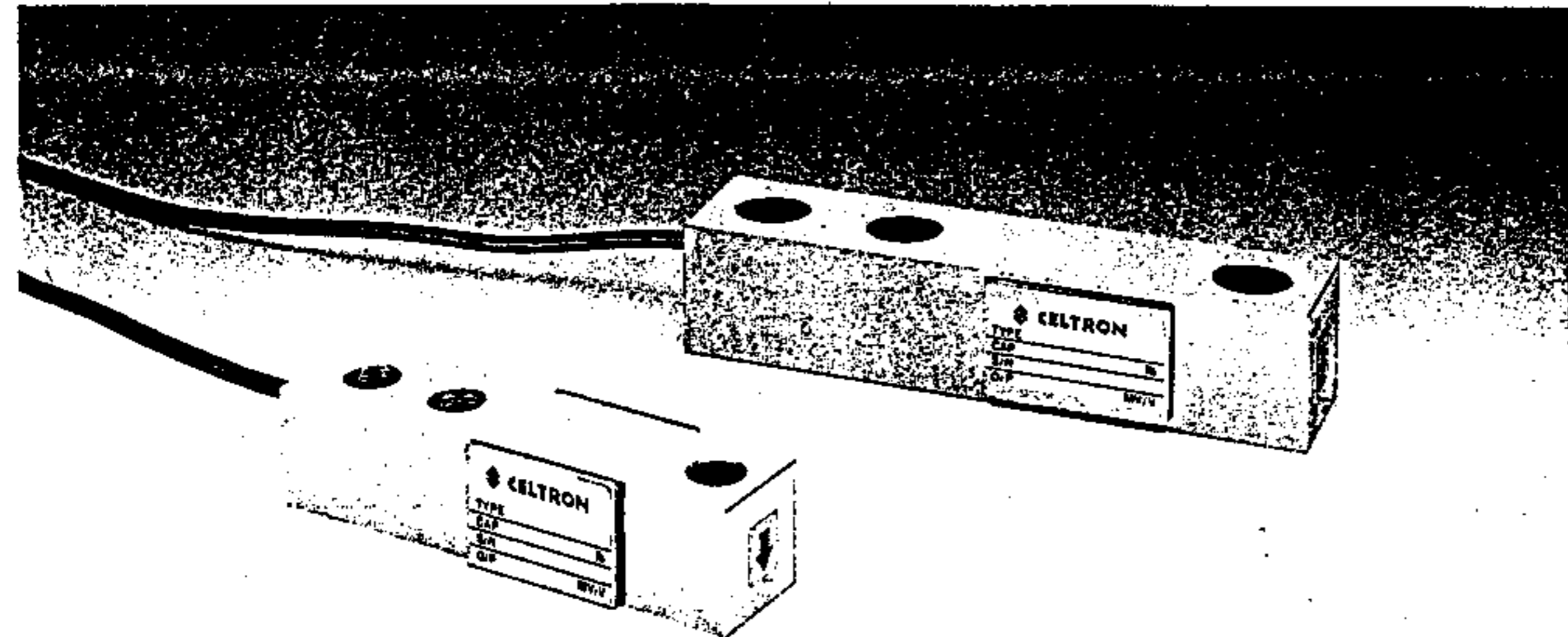


SQB

SINGLE ENDED SQUARE BEAM



CERT. NO. 91-043



DESCRIPTION

The SQB is designed for multiple cell application such as in low profile floor scale or in small tank scale when used with proper mounting accessories.

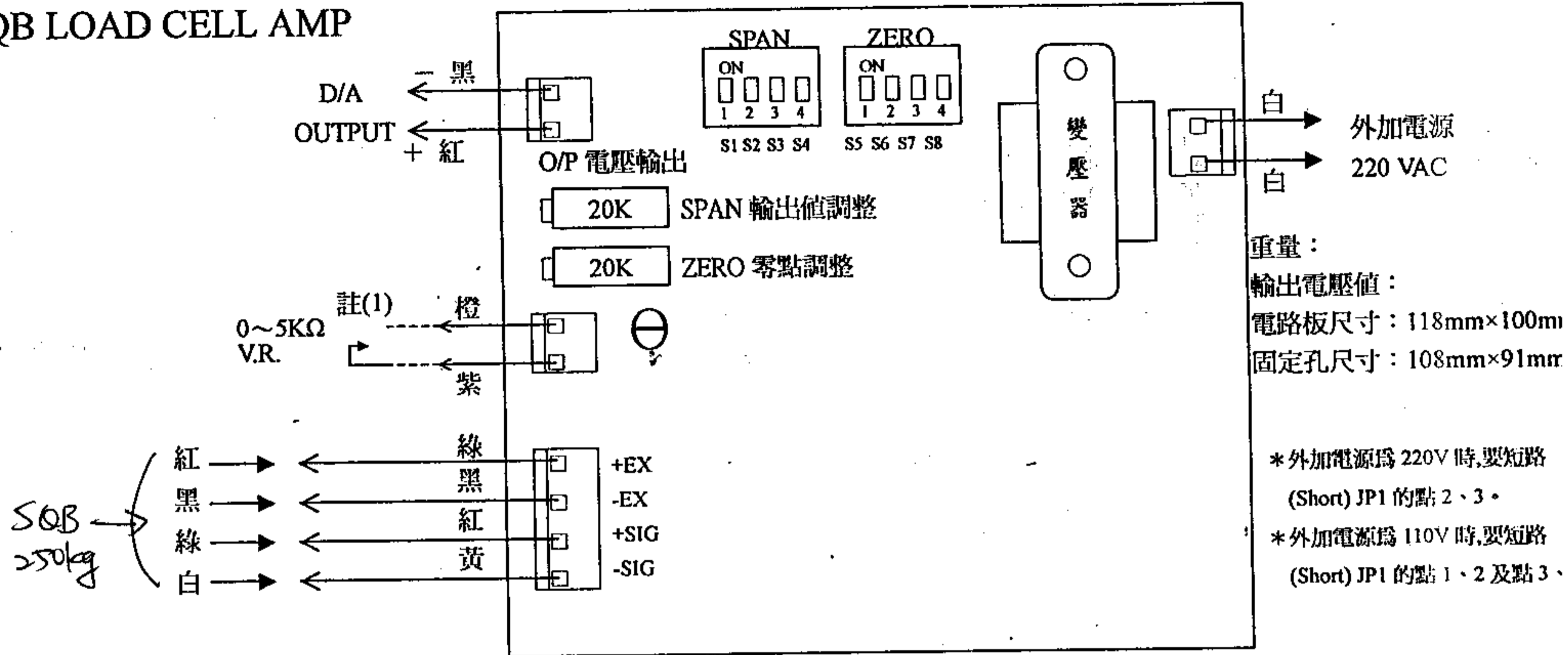
The SQB is a Single Ended Shear Beam type load cell which exhibits excellent linearity, hysteresis, and creep characteristics. It is insensitive to side load and is inherently capable of reversed loading.

The unit is constructed of either high alloy tool steel or stainless steel for maximum resistance to shock and overload. It is fully potted and environmentally sealed against moisture ingress and barometric effects.

PERFORMANCE SPECIFICATIONS

Standard Capacity	: 500, 1K, 2K, 2.5K, 3K, 4K, 5K, 10K, 15K, 20K LB; METRIC 250, 500, 1000, 1500, 2000, 2500, 5000, 7500, 10,000 KG
Output	: 3mv/V \pm 0.25%
Combined Error	: 0.025%
Non-Repeatability	: 0.01%
Creep (20 minutes)	: 0.03%
Zero Return (20 minutes)	: 0.03%
Thermal Sensitivity Shift	: 0.015%/10°C
Thermal Zero Shift	: 0.026%/10°C
Compensated Temperature Range	: -10°C — + 40°C
Operating Temperature Range	: -20°C — + 60°C
Zero Balance	: \pm 1%
Input Resistance	: 385 Ω \pm 3 Ω
Output Resistance	: 350 Ω \pm 3 Ω
Insulation Resistance	: > 2000 M Ω
Deflection at Rated Load	: < 0.5 mm
Recommended Excitation	: 10V
Maximum Excitation	: 15V
Safe Overload	: 150%
Ultimate Overload	: > 300%

SQB LOAD CELL AMP



- ※請注意※ 註(1) 外接線繞電組，作為外部零點微調。若不接此 V.R.，應將此橙、紫兩線短接 (short)。
- 註(2) 本電路採前級零點補償，故必須先接妥 Load Cell 接線，再加上電源，否則會輸出一經放大的補償電壓。
- 註(3) 若作精密的量測，在調整 SPAN 及 ZERO 之前，必須先加上電源，予以 Load Cell 及電路板約 3~6 分鐘的熱機。

ZERO 調整範圍設定 △一般使用上，若僅接 1 個 Load Cell ⇒ S7 OFF, S5 及 S6 置於 ON，
 若接 2 個 Load Cell, ZERO 範圍加大 ⇒ S6 OFF, S5, S7 置於 ON。
 △若上述皆無法扣除毛重，使 O/P 歸零時，可再加大 ZERO 範圍 ⇒ S5 OFF, S6 及 S7 置於 ON，
 或是選最大調整範圍 (ZERO) 為 ⇒ S5, S6, S7 皆置於 ON。
 △若不接外部微調 ZERO 的 VR 時，將 S8 皆於 ON 即可。

SPAN 調整範圍設定 S1 OFF: 放大倍率為 100 S2 OFF: 放大倍率為 150
 S3 OFF: 放大倍率為 200 S4 OFF: 放大倍率為 500

出廠設定值為 S4 OFF, S6 OFF, 其他皆為 ON。